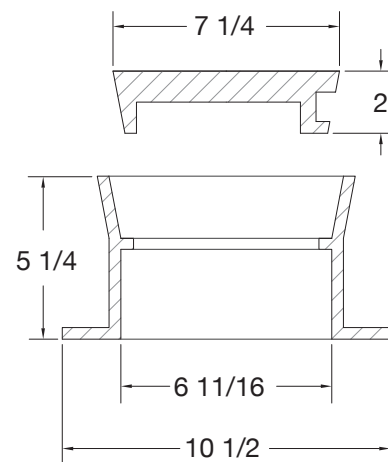


**NOTES:**

- Dimensions are approximate & in inches
- Gray Iron, Class 30B
- Conforms to ASTM A48 / A48M-03 specifications
  - \* Please specify if required in Class 35B or Ductile Iron
- Markings: Plain, Fire, Gas, Open left arrow, Open right arrow, Sewer, Water
  - \* Custom markings / logos available upon request

<b>PRODUCT NO.</b>
<b>17041</b>



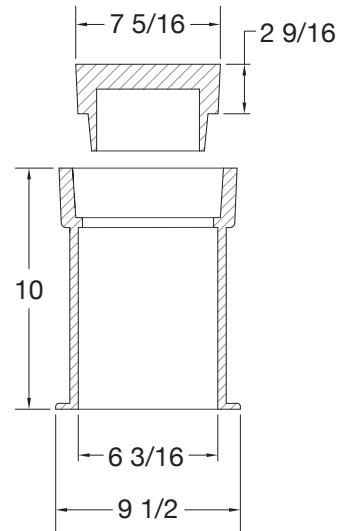
**NOTES:**

- Dimensions are approximate & in inches
- Gray Iron, Class 30B
- Conforms to ASTM A48 / A48M-03 specifications
  - \* Please specify if required in Class 35B or Ductile Iron
- Markings: Plain, Fire, Gas, Open left arrow, Open right arrow, Sewer, Water
  - \* Custom markings / logos available upon request

<b>PRODUCT NO.</b>
<b>17051</b>



Light Duty



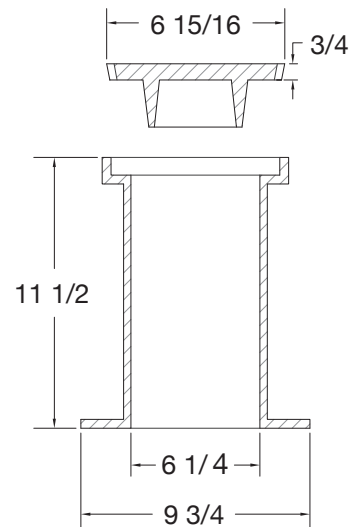
NOTES:

- Dimensions are approximate & in inches
- Gray Iron, Class 30B
- Conforms to ASTM A48 / A48M-03 specifications
  - \* Please specify if required in Class 35B or Ductile Iron
- Markings: Plain, Fire, Gas, Open left arrow, Open right arrow, Sewer, Water
  - \* Custom markings / logos available upon request

PRODUCT NO.

17101

Light Duty



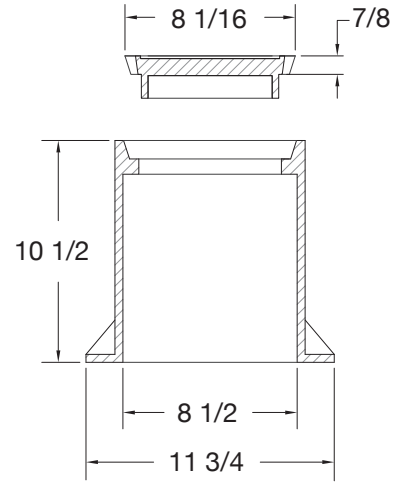
NOTES:

- Dimensions are approximate & in inches
- Gray Iron, Class 30B
- Conforms to ASTM A48 / A48M-03 specifications
  - \* Please specify if required in Class 35B or Ductile Iron
- Markings: CO
  - \* Custom markings / logos available upon request

PRODUCT NO.

10711



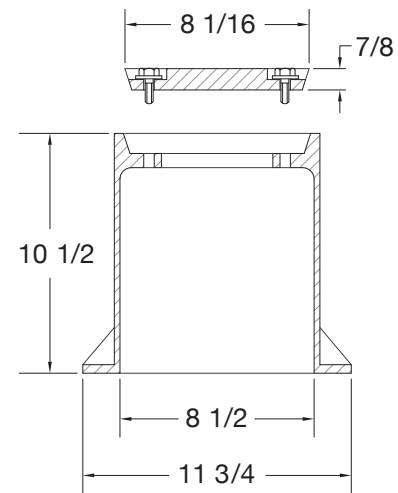


**NOTES:**

- Dimensions are approximate & in inches
- Gray Iron, Class 30B
- Conforms to ASTM A48 / A48M-03 specifications
  - \* Please specify if required in Class 35B or Ductile Iron
- Markings: Plain, Cleanout, Sewer, Water
  - \* Custom markings / logos available upon request

<b>PRODUCT NO.</b>
<b>18111</b>

**Bolted**



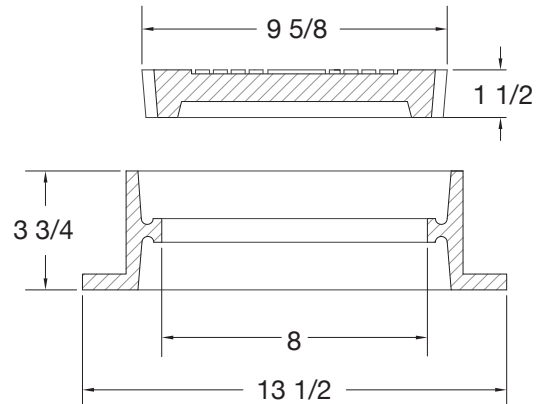
**NOTES:**

- Dimensions are approximate & in inches
- Gray Iron, Class 30B
- Conforms to ASTM A48 / A48M-03 specifications
  - \* Please specify if required in Class 35B or Ductile Iron
- Markings: Plain, Cleanout, Sewer, Water
  - \* Custom markings / logos available upon request

<b>PRODUCT NO.</b>
<b>18116</b>



Heavy Duty



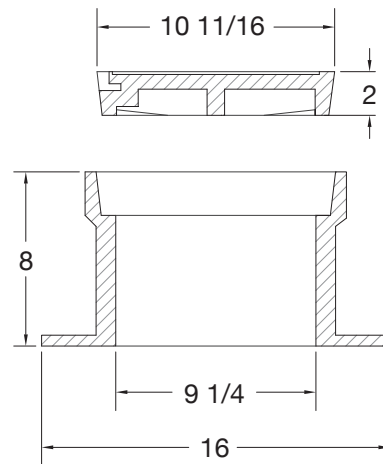
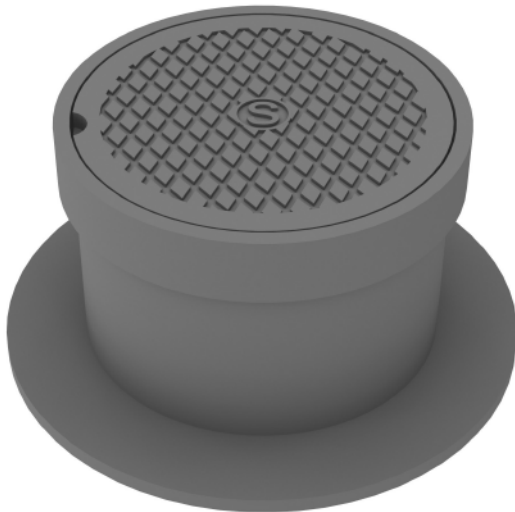
NOTES:

- Dimensions are approximate & in inches
- Gray Iron, Class 30B
- Conforms to ASTM A48 / A48M-03 specifications
  - \* Please specify if required in Class 35B or Ductile Iron
- Markings: Plain, D, S
  - \* Custom markings / logos available upon request

PRODUCT NO.

11041

Heavy Duty

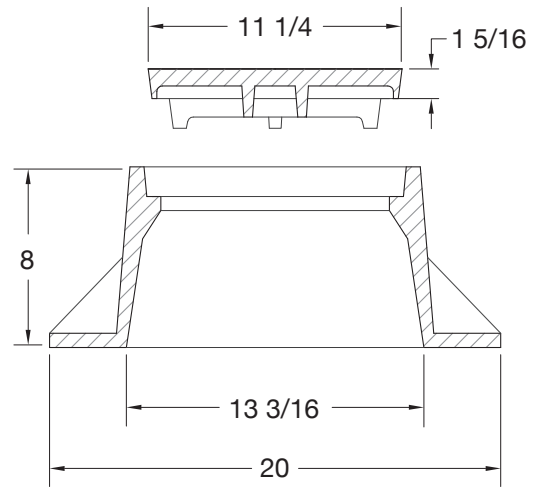


NOTES:

- Dimensions are approximate & in inches
- Gray Iron, Class 30B
- Conforms to ASTM A48 / A48M-03 specifications
  - \* Please specify if required in Class 35B or Ductile Iron
- Markings: Plain, Cleanout, Sewer
  - \* Custom markings / logos available upon request

PRODUCT NO.

11081

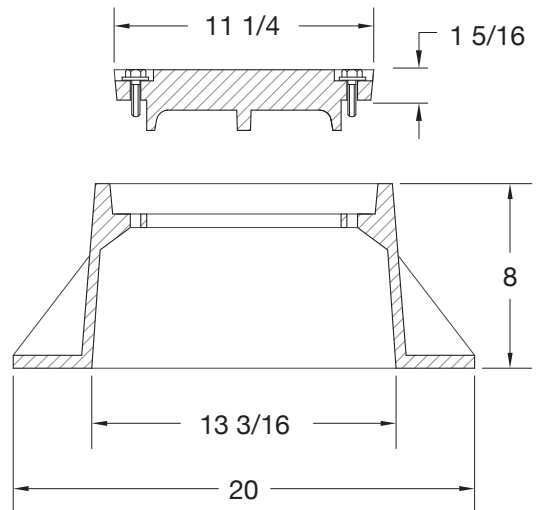


**NOTES:**

- Dimensions are approximate & in inches
- Gray Iron, Class 30B
- Conforms to ASTM A48 / A48M-03 specifications
  - \* Please specify if required in Class 35B or Ductile Iron
- Markings: Plain, Cleanout, Sewer
  - \* Custom markings / logos available upon request

<b>PRODUCT NO.</b>
<b>11181</b>

**Bolted**

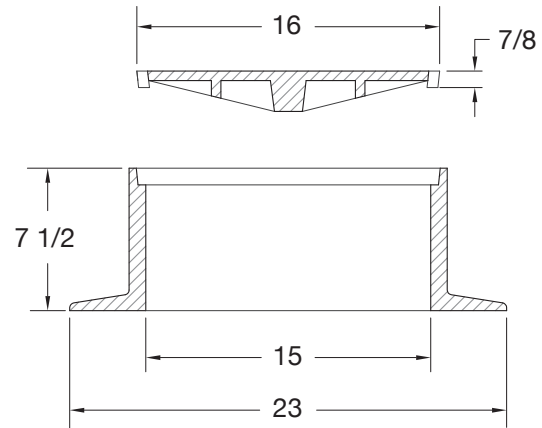
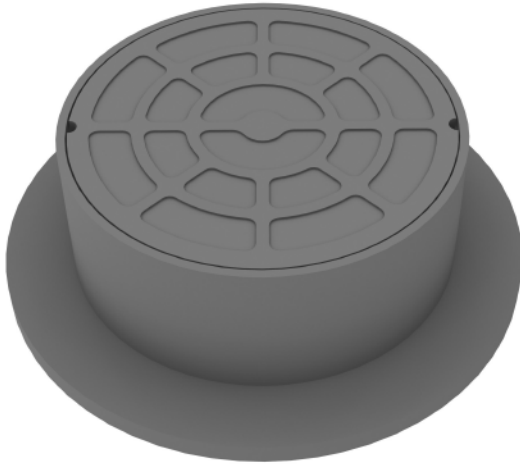


**NOTES:**

- Dimensions are approximate & in inches
- Gray Iron, Class 30B
- Conforms to ASTM A48 / A48M-03 specifications
  - \* Please specify if required in Class 35B or Ductile Iron
- Markings: Plain, Cleanout, Sewer
  - \* Custom markings / logos available upon request

<b>PRODUCT NO.</b>
<b>11186</b>





PRODUCT NO.

11671

**NOTES:**

- Dimensions are approximate & in inches
- Gray Iron, Class 30B
- Conforms to ASTM A48 / A48M-03 specifications
  - \* Please specify if required in Class 35B or Ductile Iron
- Markings: Plain, S
  - \* Custom markings / logos available upon request