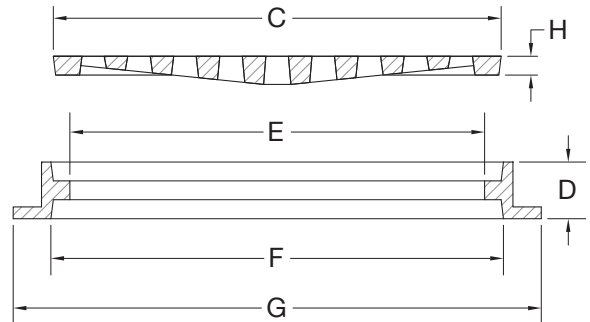


Light Duty, Reversible Type Frame, Slotted Grate



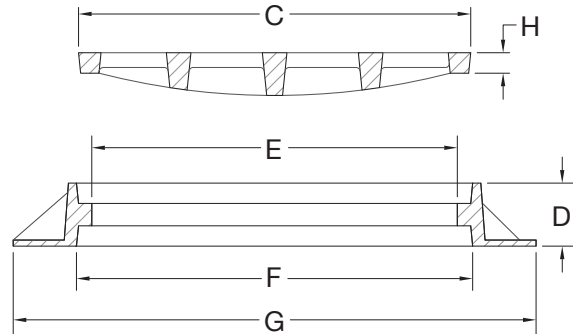
	GRATE DIAMETER	FRAME HEIGHT	CLEAR OPENING	FLANGE ID	FLANGE OD	GRATE THICKNESS
PRODUCT NO.	C	D	E	F	G	H
11238	12	3	10-1/2	12-1/4	16-1/2	1
11838	18	3	16-1/2	18-1/4	22-1/2	1
12038	20	3	18-1/2	20-1/4	24-1/2	1
12438	23-3/4	3	22	24	28	1

**NOTES:**

- Dimensions are approximate & in inches
- Gray Iron, Class 30B
- Conforms to ASTM A48 / A48M-03 specifications
- \* Please specify if required in Class 35B or Ductile Iron



Heavy Duty, Built Up Type Frame, Slotted Grate

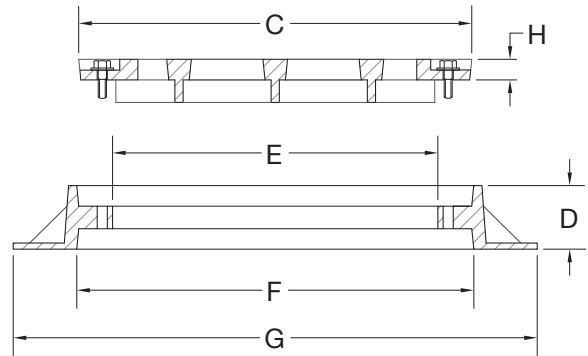


	GRATE DIAMETER	FRAME HEIGHT	CLEAR OPENING	FLANGE ID	FLANGE OD	GRATE THICKNESS
PRODUCT NO.	C	D	E	F	G	H
11862	17-7/8	6	16-1/2	18-1/4	26	1
12442	24	4	22-3/8	24-1/4	32	1-3/8
12462	24	6	22-3/8	24	34	1-3/8
12472	24	7	22-1/2	24-7/16	34	1-3/8
12482	24	8	22-3/8	24-5/8	34	1-3/8
12642	25-3/4	4	24	26-5/8	34	1-3/8
12662	25-3/4	6	24	26-5/8	34	1-3/8
12682	25-3/4	8	24	27	34-1/2	1-3/8
13252	31-5/8	4	30	32-1/2	39	1-3/4
13262	31-5/8	6	30	32-1/2	39	1-3/4
13282	31-5/8	8	30	32-1/2	39	1-3/4
13242	32	4	30-1/4	32-1/4	38	1-1/2
13272	32	6-1/2	30	32	43	1-1/2
13642	37-3/4	4	36	38	48	1-1/2
13662	37-3/4	6	36	38	48	1-1/2
13682	37-3/4	8	36	36	48	1-1/2

NOTES:

- Dimensions are approximate & in inches
- Gray Iron, Class 30B
- Conforms to ASTM A48 / A48M-03 specifications
- \* Please specify if required in Class 35B or Ductile Iron





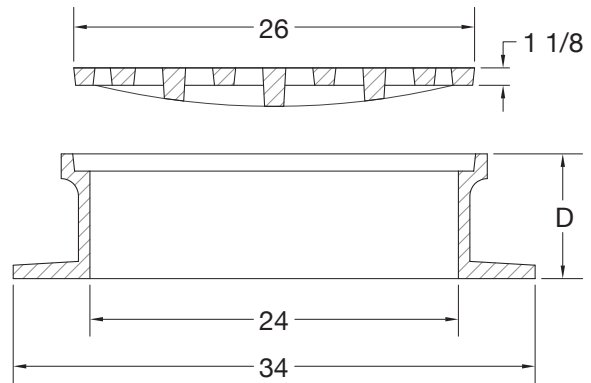
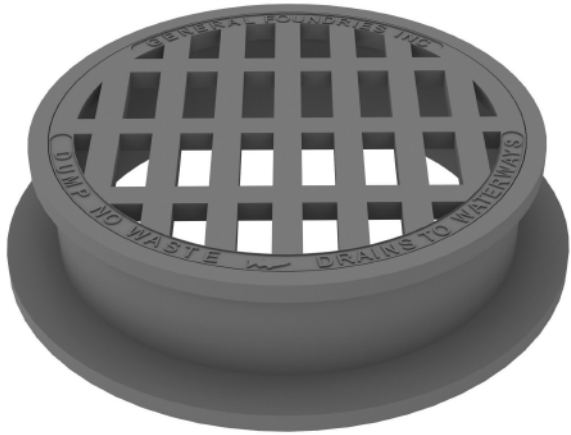
	GRATE DIAMETER	FRAME HEIGHT	CLEAR OPENING	FLANGE ID	FLANGE OD	GRATE THICKNESS
PRODUCT NO.	C	D	E	F	G	H
12447	24	4	22-3/8	24-1/4	32	1-3/8
12467	24	6	22-3/8	24	34	1-3/8
12487	24	8	22-3/8	25-5/8	34	1-3/8

#### NOTES:

- Dimensions are approximate & in inches
- Gray Iron, Class 30B
- Conforms to ASTM A48 / A48M-03 specifications
- \* Please specify if required in Class 35B or Ductile Iron



Heavy Duty, Built Up Type Frame, Slotted Grate



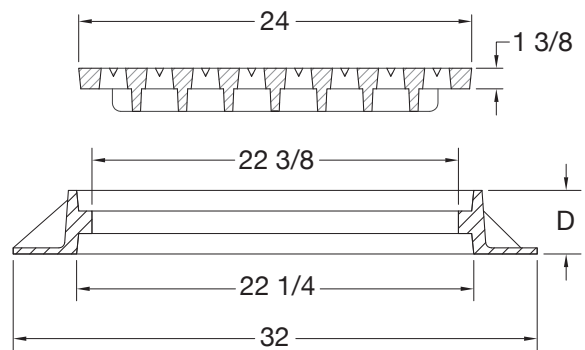
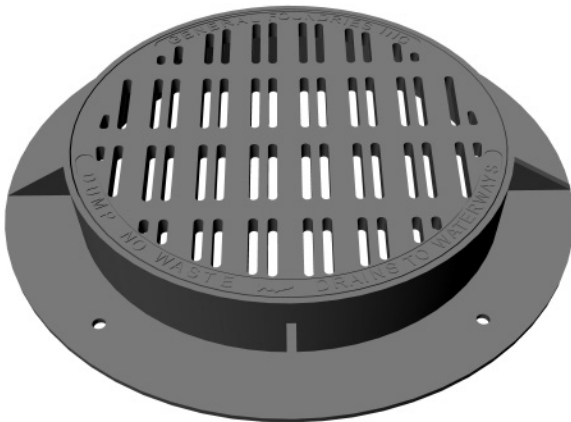
NOTES:

- Dimensions are approximate & in inches
- Gray Iron, Class 30B
- Conforms to ASTM A48 / A48M-03 specifications
- \* Please specify if required in Class 35B or Ductile Iron

FRAME  
HEIGHT

PRODUCT NO.	D
12644	4
12664	6
12684	8-1/8

Heavy Duty, Built Up Type Frame, ADA Compliant Grate



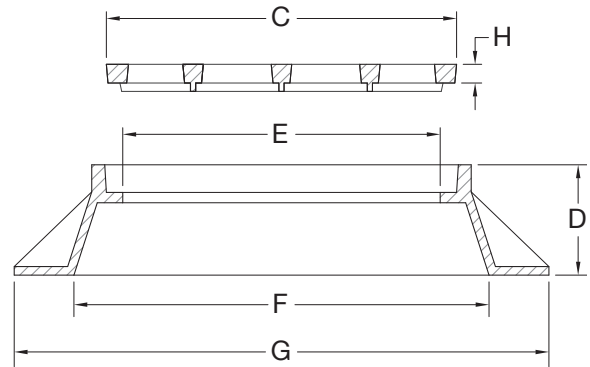
NOTES:

- Dimensions are approximate & in inches
- Gray Iron, Class 30B
- Conforms to ASTM A48 / A48M-03 specifications
- \* Please specify if required in Class 35B or Ductile Iron

FRAME  
HEIGHT

PRODUCT NO.	D
12449	4
12469	6
12489	8

Heavy Duty, Built Up Type Frame, Slotted Grate



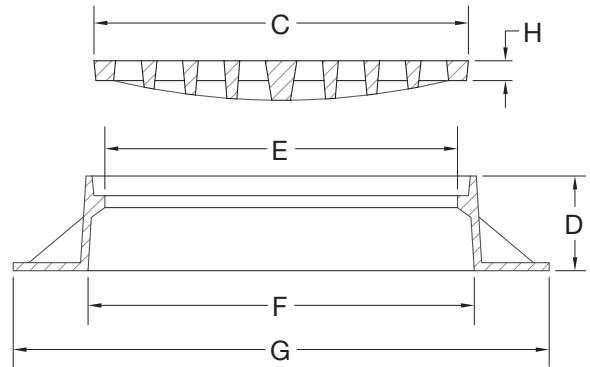
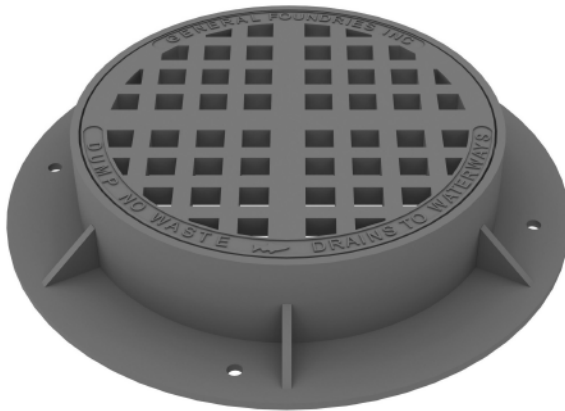
	COVER DIAMETER	FRAME HEIGHT	CLEAR OPENING	FLANGE ID	FLANGE OD	COVER HEIGHT
PRODUCT NO.	C	D	E	F	G	H
12580	25-3/8	8	23	31	39	2
12680	25-3/4	8	24	32	39	1-3/8

**NOTES:**

- Dimensions are approximate & in inches
- Gray Iron, Class 30B
- Conforms to ASTM A48 / A48M-03 specifications
  - \* Please specify if required in Class 35B or Ductile Iron
- Markings: Plain, Sanitary Sewer, Sewer, Storm, Storm Drain, Storm Sewer
  - \* Custom markings / logos available upon request



Heavy Duty, Built Up Type Frame, Square Hole Grate



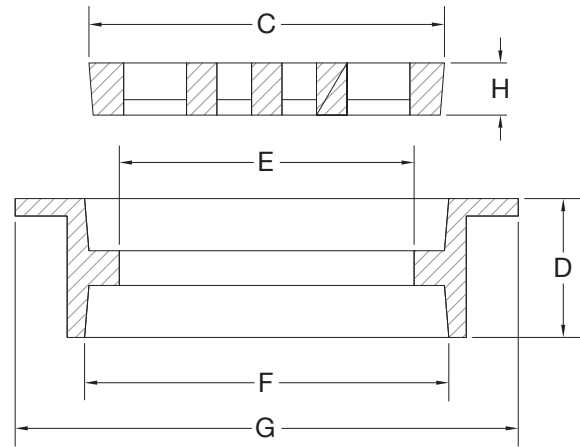
	GRATE DIAMETER	FRAME HEIGHT	CLEAR OPENING	FLANGE ID	FLANGE OD	GRATE THICKNESS
PRODUCT NO.	C	D	E	F	G	H
12444	24	4	22-3/8	24-1/4	32	1-3/8
12464	24	6	22-3/8	24	34	1-3/8
12474	24	7	22-1/2	24-7/16	34	1-3/8
12484	24	8	22-3/8	24-5/8	34	1-3/8

**NOTES:**

- Dimensions are approximate & in inches
- Gray Iron, Class 30B
- Conforms to ASTM A48 / A48M-03 specifications
- \* Please specify if required in Class 35B or Ductile Iron



Heavy Duty, Reversible Type Frame, ADA Compliant Grate



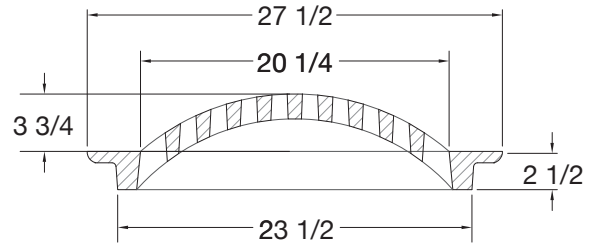
	GRATE DIAMETER	FRAME HEIGHT	CLEAR OPENING	FLANGE ID	FLANGE OD	GRATE THICKNESS	
PRODUCT NO.	C	D	E	F	G	H	PIPE SIZE
11248	10-1/4	4	8-1/2	11-1/2	14-1/2	1-1/2	12
11548	13-1/4	4	11-1/2	14-1/2	17-1/2	1-1/2	15
11848	16-1/4	4	14-1/2	17-1/2	20-1/2	1-1/2	18

NOTES:

- Dimensions are approximate & in inches
- Gray Iron, Class 30B
- Conforms to ASTM A48 / A48M-03 specifications
- \* Please specify if required in Class 35B or Ductile Iron



## Beehive Grate For 24" Corrugated Pipe



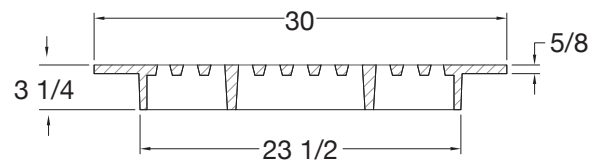
**NOTES:**

- Dimensions are approximate & in inches
- Gray Iron, Class 30B
- Conforms to ASTM A48 / A48M-03 specifications
- \* Please specify if required in Class 35B or Ductile Iron

**PRODUCT NO.**

**12707**

## Light Duty, Flat Grate For 24" Corrugated Pipe



**NOTES:**

- Dimensions are approximate & in inches
- Gray Iron, Class 30B
- Conforms to ASTM A48 / A48M-03 specifications
- \* Please specify if required in Class 35B or Ductile Iron

**PRODUCT NO.**

**13007**

