

NO HOLE	SIDE HOLE	LID SIZE	TILE SIZE
PRODUCT NO.	PRODUCT NO.	C	T
5C32N	5C32S	11-1/2	18
5C03N	5C03S	11-1/2	20
5C04N	5C04S	11-1/2	21
5C52N	5C52S	15	18
5C53N	5C53S	15	20

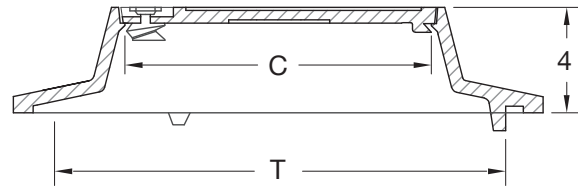
**NOTES:**

- Dimensions are approximate & in inches
- Gray Iron, Class 30B
- Conforms to ASTM A48 / A48M-03 specifications
  - \* Please specify if required in Class 35B or Ductile Iron

**Bolts:**

- Silicon bronze
- Pentagon shaped head
- Sizes: 27/32", 1-1/32"
  - \* 27/32" is standard. Please specify if 1-1/32" is required
- Markings: Water Meter
  - \* Custom markings / logos available upon request





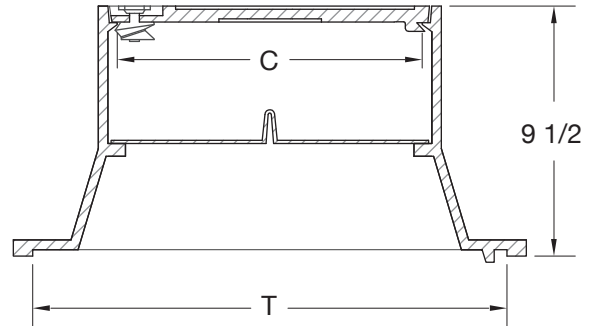
NO HOLE	SIDE HOLE	LID SIZE	TILE SIZE
PRODUCT NO.	PRODUCT NO.	C	T
5A32N	5A32S	11-1/2	18
5A03N	5A03S	11-1/2	20
5A04N	5A04S	11-1/2	21
5A52N	5A52S	15	18
5A53N	5A53S	15	20

**NOTES:**

- Dimensions are approximate & in inches
- Gray Iron, Class 30B
- Conforms to ASTM A48 / A48M-03 specifications
  - \* Please specify if required in Class 35B or Ductile Iron

**Bolts:**

- Silicon bronze
- Pentagon shaped head
- Sizes: 27/32", 1-1/32"
  - \* 27/32" is standard. Please specify if 1-1/32" is required
- Markings: Water Meter
  - \* Custom markings / logos available upon request



NO HOLE	SIDE HOLE	LID SIZE	TILE SIZE
PRODUCT NO.	PRODUCT NO.	C	T
5W32N	5W32S	11-1/2	18
5W03N	5W03S	11-1/2	20
5W04N	5W04S	11-1/2	21

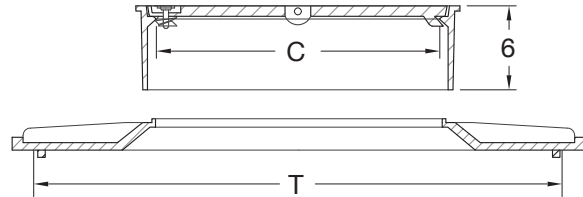
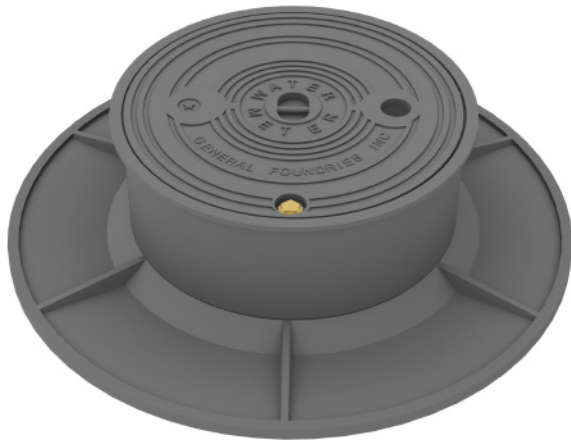
**NOTES:**

- Dimensions are approximate & in inches
- Gray Iron, Class 30B
- Conforms to ASTM A48 / A48M-03 specifications
- \* Please specify if required in Class 35B or Ductile Iron

**Bolts:**

- Silicon bronze
- Pentagon shaped head
- Sizes: 27/32", 1-1/32"
- \* 27/32" is standard. Please specify if 1-1/32" is required
- Markings: Water Meter
- \* Custom markings / logos available upon request





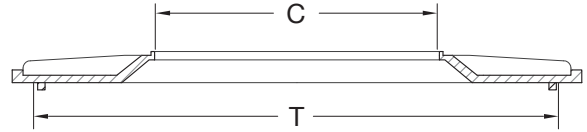
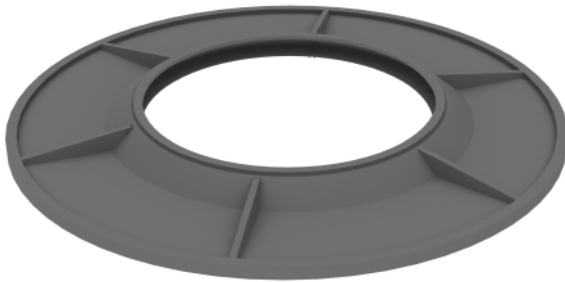
NO HOLE	SIDE HOLE	LID SIZE	TILE SIZE
PRODUCT NO.	PRODUCT NO.	C	T
5M24N	5M24S	20	24
5M30N	5M30S	20	30
5M36N	5M36S	20	36

**NOTES:**

- Dimensions are approximate & in inches
- Gray Iron, Class 30B
- Conforms to ASTM A48 / A48M-03 specifications
  - \* Please specify if required in Class 35B or Ductile Iron

**Bolts:**

- Silicon bronze
- Pentagon shaped head
- Sizes: 27/32", 1-1/32"
  - \* 27/32" is standard. Please specify if 1-1/32" is required
- Markings: Water Meter
  - \* Custom markings / logos available upon request



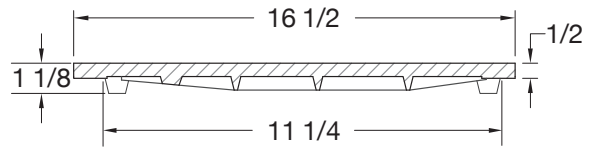
PRODUCT NO.	LID SIZE	RANGE	TILE SIZE
	C		T
52024	20	Adapts 20" covers to 24" tile	24
52030	20	Adapts 20" covers to 30" tile	30
52036	20	Adapts 20" covers to 36" tile	36

**NOTES:**

- Dimensions are approximate & in inches
- Gray Iron, Class 30B
- Conforms to ASTM A48 / A48M-03 specifications
  - \* Please specify if required in Class 35B or Ductile Iron
- Suitable for A, C and W style frames



Lid, For Plastic Box

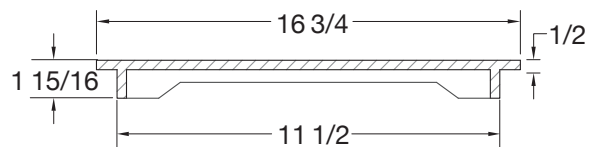


Notes:

- Dimensions are approximate & in inches
- Gray Iron, Class 30B
- Conforms to ASTM A48 / A48M-03 specifications
  - \* Please specify if required in Class 35B or Ductile Iron
- Markings: Sewer, Water Meter
  - \* Custom markings / logos available upon request
- Lid available with no hole or touch read hole (please specify)

PRODUCT NO.	EQUIVALENT
51711	Brooks Lid

Lid, For Plastic Box

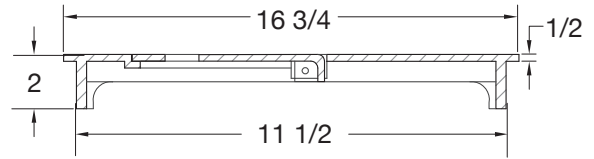


NOTES:

- Dimensions are approximate & in inches
- Gray Iron, Class 30B
- Conforms to ASTM A48 / A48M-03 specifications
  - \* Please specify if required in Class 35B or Ductile Iron
- Markings: Sewer, Water Meter
  - \* Custom markings / logos available upon request
- Lid available with no hole or touch read hole (please specify)

PRODUCT NO.	EQUIVALENT
51712	Charlotte #2



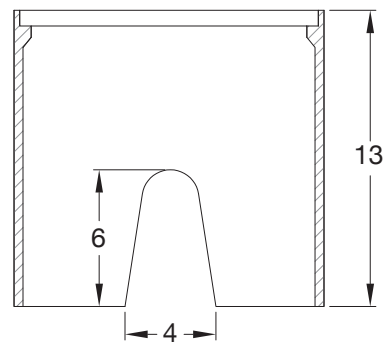
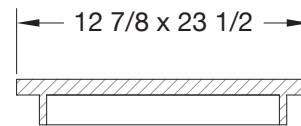
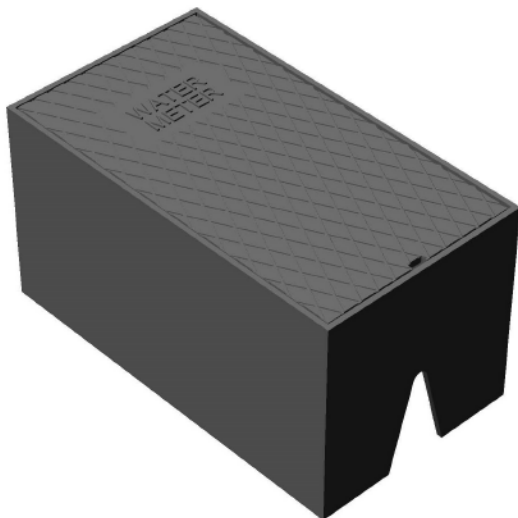


**NOTES:**

- Dimensions are approximate & in inches
- Gray Iron, Class 30B
- Conforms to ASTM A48 / A48M-03 specifications
  - \* Please specify if required in Class 35B or Ductile Iron
- Markings: Sewer, Water Meter
  - \* Custom markings / logos available upon request

PRODUCT NO.	EQUIVALENT
51713	Charlotte #2 W/ Flip Reader

Rectangular Frame and Lid



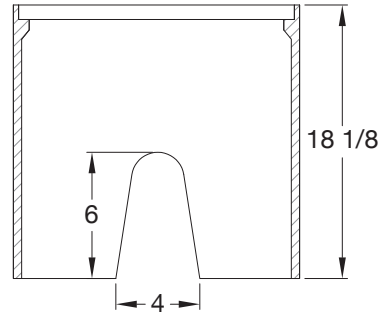
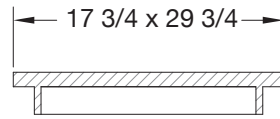
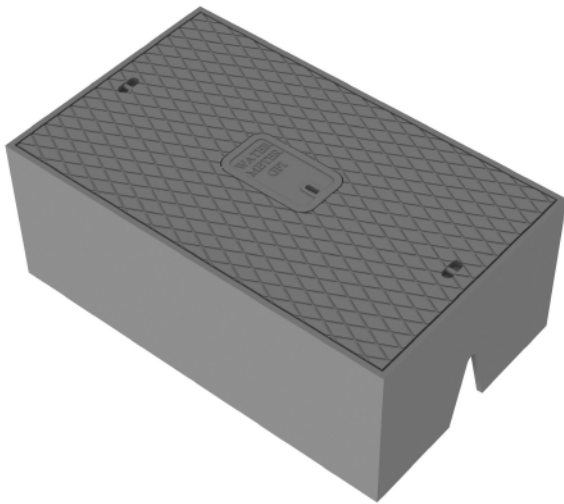
**NOTES:**

- Dimensions are approximate & in inches
- Gray Iron, Class 30B
- Conforms to ASTM A48 / A48M-03 specifications
  - \* Please specify if required in Class 35B or Ductile Iron
- Markings: Sewer, Water Meter
  - \* Custom markings / logos available upon request

PRODUCT NO.	EQUIVALENT
52313	Jefferson Parish



Rectangular Frame and Lid

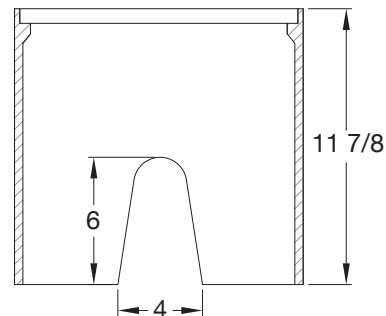
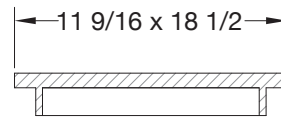
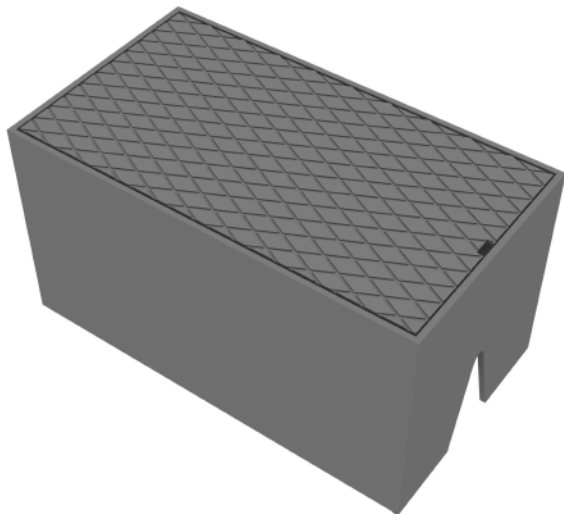


NOTES:

- Dimensions are approximate & in inches
- Gray Iron, Class 30B
- Conforms to ASTM A48 / A48M-03 specifications
  - \* Please specify if required in Class 35B or Ductile Iron
- Markings: Sewer, Water Meter
  - \* Custom markings / logos available upon request
- Lid available with no hole or touch read hole (please specify)

PRODUCT NO.	EQUIVALENT
53018	MBX 5A

Rectangular Frame and Lid



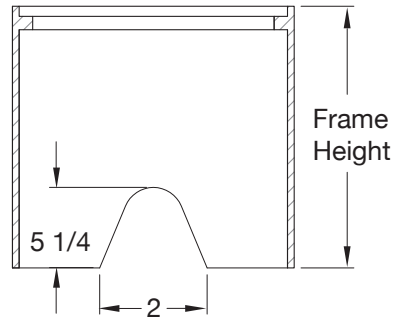
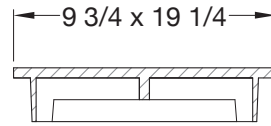
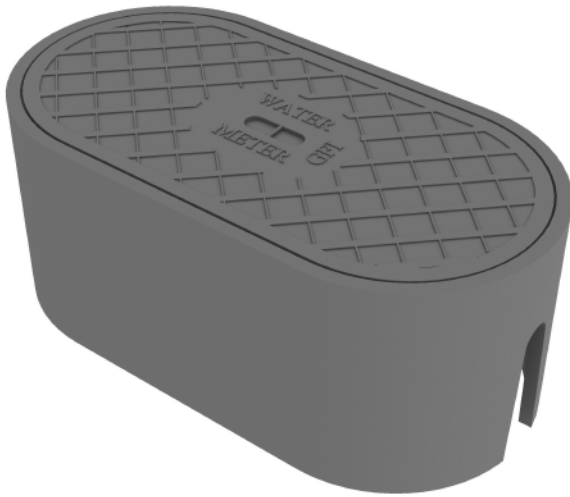
NOTES:

- Dimensions are approximate & in inches
- Gray Iron, Class 30B
- Conforms to ASTM A48 / A48M-03 specifications
  - \* Please specify if required in Class 35B or Ductile Iron
- Markings: Sewer, Water Meter
  - \* Custom markings / logos available upon request
- Lid available with no hole or touch read hole (please specify)

PRODUCT NO.	EQUIVALENT
51812	Schofield



Oval Frame and Lid

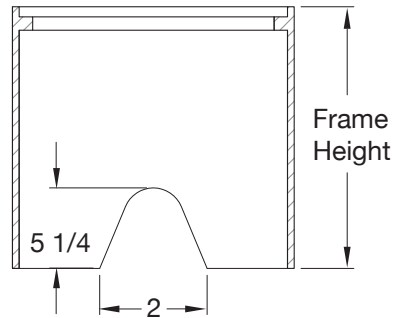
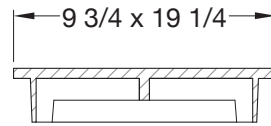
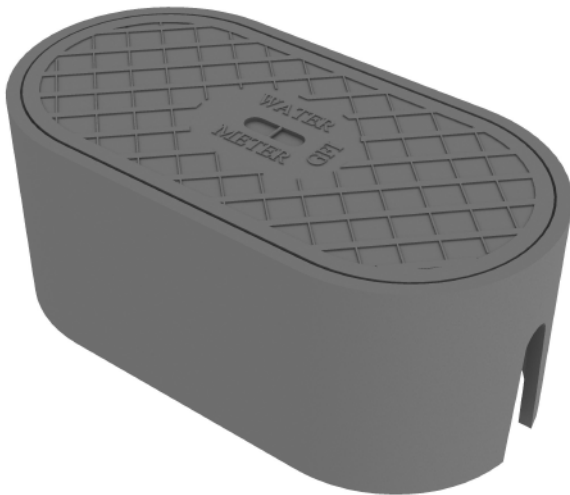


**NOTES:**

- Dimensions are approximate & in inches
- Gray Iron, Class 30B
- Conforms to ASTM A48 / A48M-03 specifications
  - \* Please specify if required in Class 35B or Ductile Iron
- Markings: Sewer, Water
  - \* Custom markings / logos available upon request
- Lid available with no hole or touch read hole (please specify)

PRODUCT NO.	FRAME HEIGHT	EQUIVALENT
52012	12	MBX 1
52018	18	MBX 2

Oval Frame and Lid



**NOTES:**

- Dimensions are approximate & in inches
- Gray Iron, Class 30B
- Conforms to ASTM A48 / A48M-03 specifications
  - \* Please specify if required in Class 35B or Ductile Iron
- Markings: Sewer, Water
  - \* Custom markings / logos available upon request
- Lid available with no hole or touch read hole (please specify)

PRODUCT NO.	FRAME HEIGHT	EQUIVALENT
51910	10	1910 Rome Box
51912	12	1912 Rome Box
51918	18	1918 Rome Box

